

WATERBUG®

This WB800 illustration depicts:

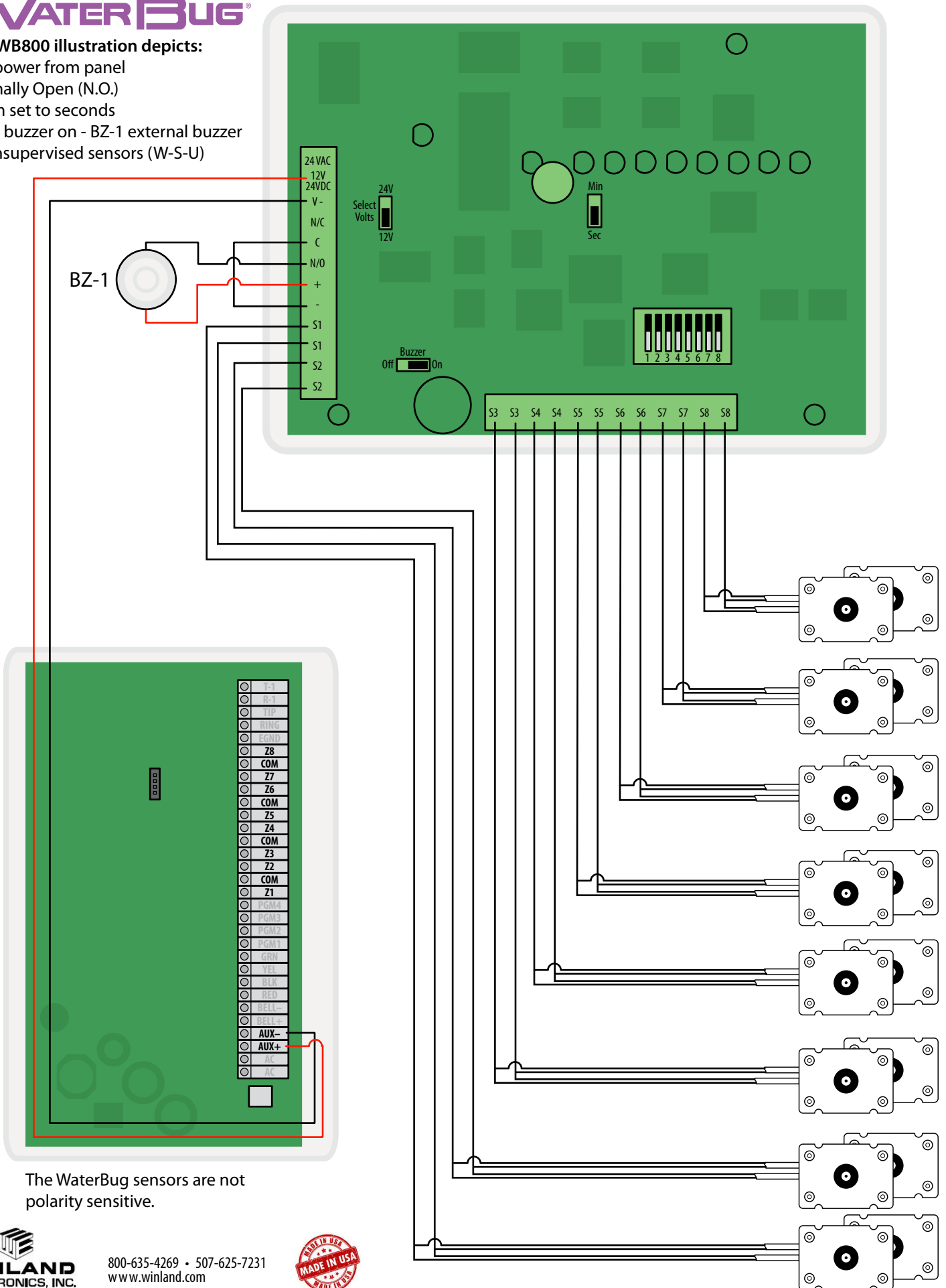
12V power from panel

Normally Open (N.O.)

Alarm set to seconds

Local buzzer on - BZ-1 external buzzer

16 unsupervised sensors (W-S-U)



The WaterBug sensors are not polarity sensitive.